

3MP Vandal-resistant Network IR Fixed Dome Camera

IPC323LR3-VSPF28(40)-F



Key Features



Optics

- Day/night functionality
- Smart IR, up to 30m (98ft) IR distance
- 2D/3D DNR (Digital Noise Reduction)

Compression

- Ultra 265, H.265, H.264
- ROI (Region of Interest)

Network

- ONVIF Conformance

Structure

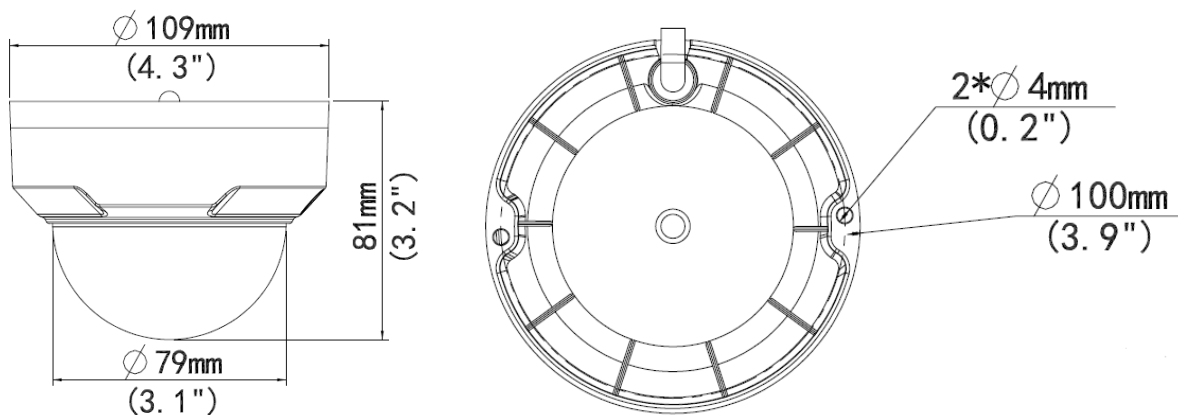
- Wide temperature range: -30°C ~ 60°C (-22°F ~ 140°F)
- Wide voltage range of ±25%
- IK10 vandal resistant
- IP67
- 2-Axis

Specifications

| | IPC323LR3-VSPF28-F | IPC323LR3-VSPF40-F | | | |
|-------------------------|---|--------------------|----------------|---------------|--------------|
| Camera | | | | | |
| Sensor | 1/2.7", 3.0 megapixel, progressive scan, CMOS | | | | |
| Lens | 2.8mm@F2.0 | | 4.0mm@F2.0 | | |
| DORI Distance | Lens (mm) | Detect (m) | Observe (m) | Recognize (m) | Identify (m) |
| | 2.8 | 50.4 | 20.2 | 10.1 | 5.0 |
| | 4.0 | 72 | 28.8 | 14.4 | 7.2 |
| Angle of view (H) | 113.1° | | 86.9° | | |
| Angle of View (V) | 60.6° | | 44.5° | | |
| Angle of View (O) | 139.1° | | 106.9° | | |
| Adjustment angle | Pan: 0° ~ 360° | | Tilt: 0° ~ 75° | | |
| Shutter | Auto/Manual, 1 ~ 1/100000s | | | | |
| Minimum Illumination | Colour: 0.01Lux (F2.0, AGC ON) 0Lux with IR | | | | |
| Day/Night | IR-cut filter with auto switch (ICR) | | | | |
| Digital noise reduction | 2D/3D DNR | | | | |
| S/N | >52dB | | | | |
| IR Range | Up to 30m (98ft) IR range | | | | |
| Wavelength | 850nm | | | | |
| IR On/Off Control | Auto/Manual | | | | |
| Defog | Digital Defog | | | | |
| WDR | DWDR | | | | |
| Video | | | | | |
| Video Compression | Ultra 265, H.265, H.264 | | | | |
| H.264 code profile | Baseline profile, Main Profile, High Profile | | | | |
| Frame Rate | Main Stream: 3MP (2304*1296), Max 20fps; Sub Stream: 4CIF (704*576), Max 20fps | | | | |
| Video Bit Rate | 128 Kbps~6 Mbps | | | | |
| OSD | Up to 4 OSDs | | | | |
| Privacy Mask | Up to 4 areas | | | | |
| ROI | Up to 8 areas | | | | |
| Motion Detection | Up to 4 areas | | | | |
| Image | | | | | |
| White Balance | Auto/Outdoor/Fine Tune/Sodium Lamp/Locked/Auto2 | | | | |
| Digital noise reduction | 2D/3D DNR | | | | |
| Smart IR | Support | | | | |
| Flip | Normal/Vertical/Horizontal/180° | | | | |
| Dewarping | NA | | | | |
| HLC | Supported | | | | |
| BLC | Supported | | | | |

| Network | |
|------------------------|---|
| Protocols | IPv4, IGMP, ICMP, TCP, UDP, DHCP, RTP, RTSP, RTCP, DNS, DDNS, NTP, UPnP, HTTP |
| Compatible Integration | ONVIF (Profile S, Profile T), API |
| Client | EZStation EZView EZLive |
| Web Browser | Plug-in required live view: IE9+, Chrome 41 and below, Firefox 52 and below |
| Interface | |
| Network | 10/100M Base-TX Ethernet |
| Certifications | |
| Certifications | CE: EN 60950-1 UL: UL60950-1 FCC: FCC Part 15 |
| General | |
| Power | DC 12V±25%, PoE (IEEE 802.3af) |
| | Power consumption: Max 4W |
| Dimensions (Ø x H) | Ø109 x 81mm (Ø4.3" x 3.2") |
| Net Weight | 0.45kg (0.99lb) |
| Material | Metal + Plastic |
| Working Environment | -30°C ~ 60°C (-22°F ~ 140°F), Humidity: ≤95% RH (non-condensing) |
| Storage Environment | -30°C ~ 60°C (-22°F ~ 140°F), Humidity: ≤95% RH (non-condensing) |
| Surge Protection | 2KV |
| Ingress Protection | IP67 |
| Vandal Resistant | IK10 |

Dimensions



Accessories

TR-JB03-G-IN

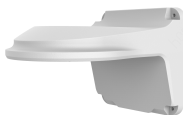
TR-JB07/WM03-G-IN

TR-WM03-D-IN

TR-UM06-E-IN

TR-UP06-IN

TR-A01-IN



TR-SE24-IN

TR-SE24-A-IN

TR-CM24-IN



| Junction Mount | Pole Mount |
|-------------------------|------------------------------|
| TR-JB03-G-IN | TR-JB07/WM03-G-IN |
| | |
| TR-UM06-E-IN | TR-JB07/WM03-G-IN+TR-UP06-IN |
| | |
| TR-CM24-IN+TR-JB03-G-IN | |
| | |

Zhejiang Uniview Technologies Co., Ltd.

Building No.10, Wanlun Science Park, Jiangling Road 88, Binjiang District, Hangzhou, Zhejiang, China (310051)

Email: overseasbusiness@uniview.com; globalsupport@uniview.com

<http://www.uniview.com>

©2020 Zhejiang Uniview Technologies Co., Ltd. All rights reserved.

*Product specifications and availability are subject to change without notice.